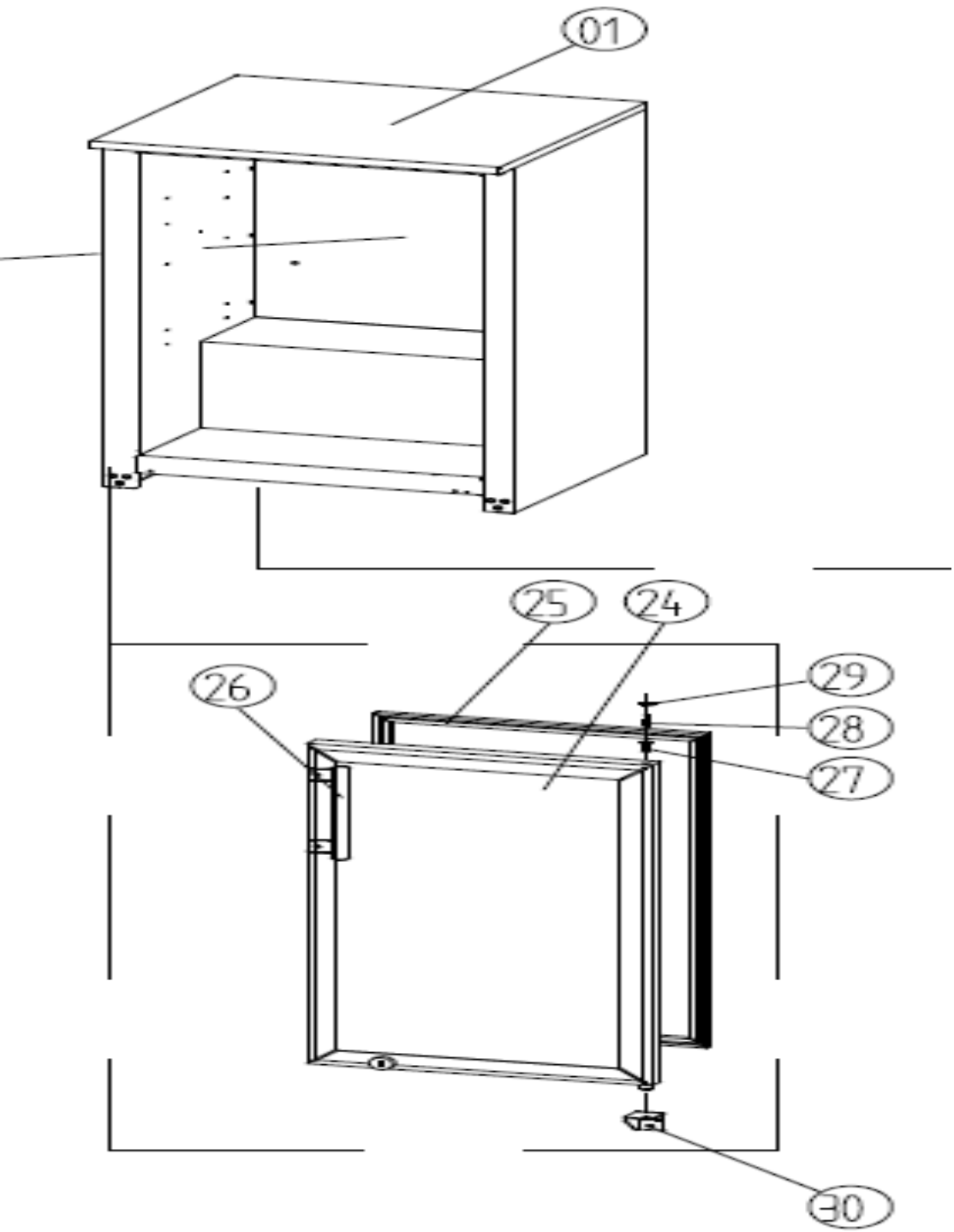


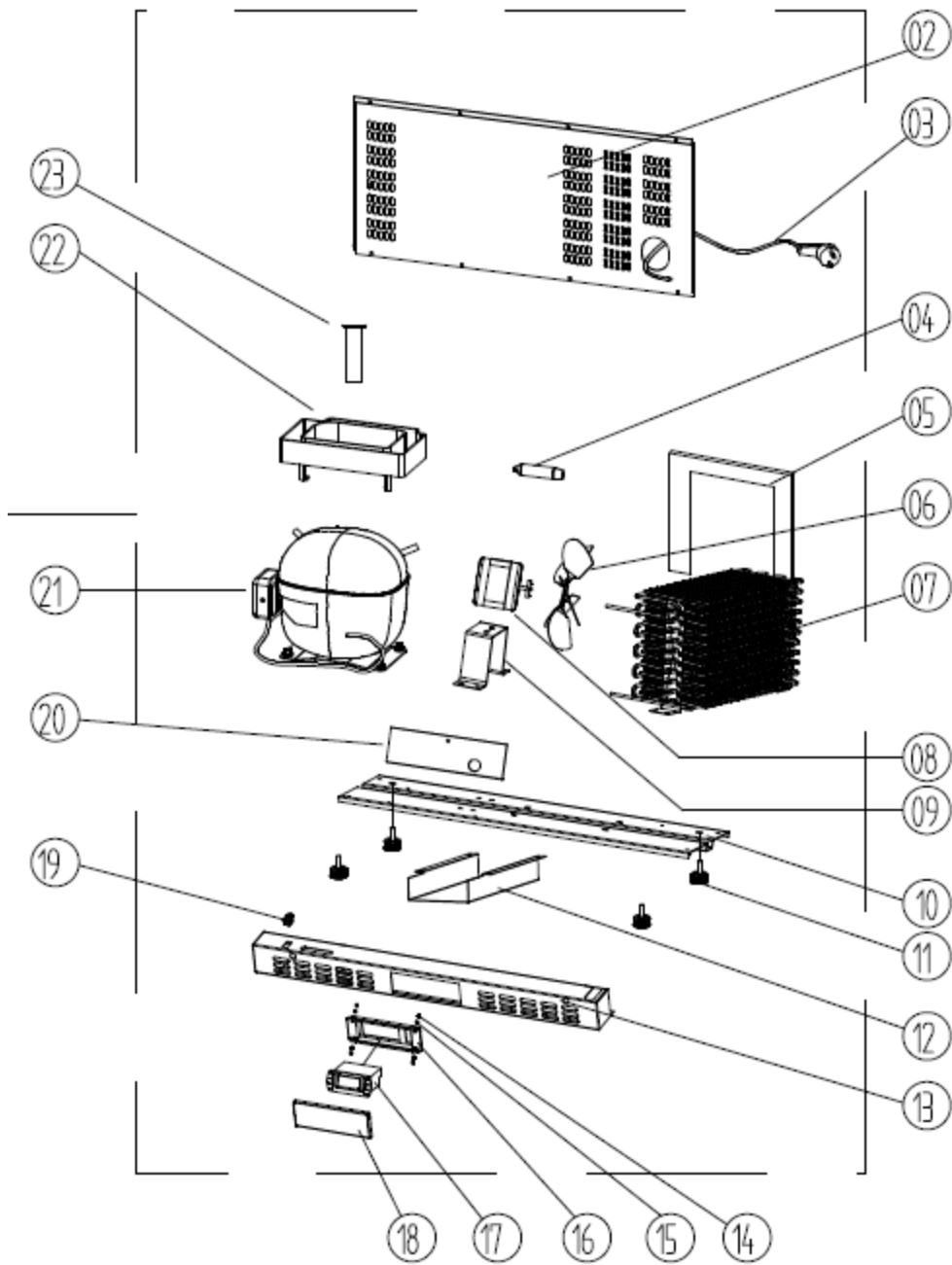
# KBC1

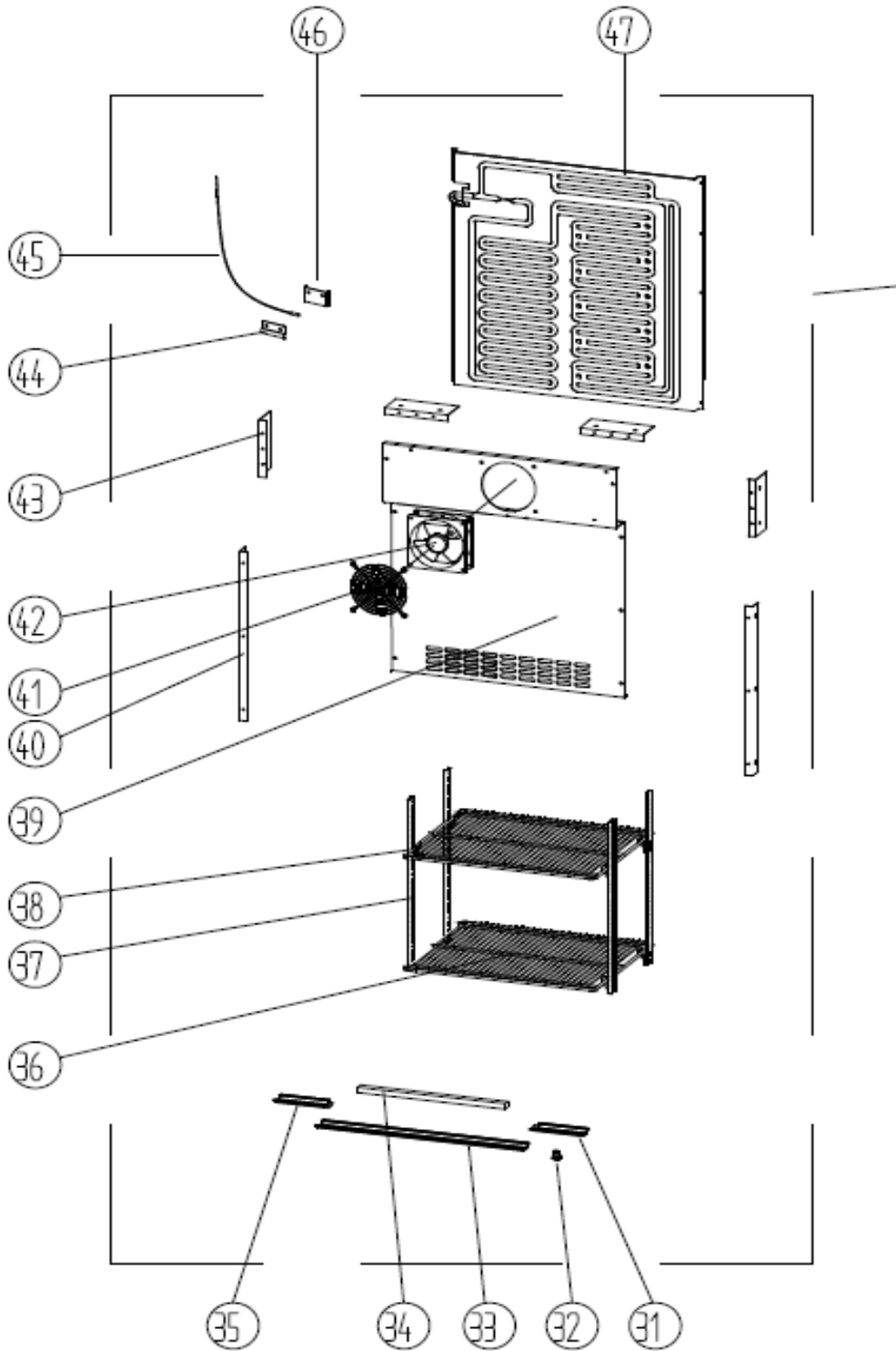
## Exploded parts diagram

Hinged door image shown











Part Number	Number	Description	Qty
***	1	Cabinet	1
***	2	Rear Grille	1
***	3	Plug Top	1
R4-DRIER20G	4	Drier	1
***	5	Air Deflector Plate	1
***	6	Fan Blade	1
K8-COND01	7	Condenser	1
***	8	Cond. Fan Motor	1
***	9	Cond Fan Motor Bracket	1
***	10	Bottom Unit Support Plate	1
K8-FOOT	11	Feet	4
***	12	Controller Tunnel	1
K8-PANEL01	13	Front Panel	1
***	14	Controller Clip Block	4
***	15	Controller Clip	4
***	16	Controller Box	1
K8-CONTROLLER	17	Controller	1
K8-COVER	18	Controller Cover	1
***	19	Door Support	2
***	20	Airflow Direction Baffle	1
K8-COMP02	21	Compressor	1
K8-DRIPTRAY	22	Vaporising Tray	1
K8-DRAIN	23	Drainpipe	1
K8-DOOR01/NEW	24	Door	1
K8-GASKET01	25	Door Gasket	1
K8-HANDLE	26	Door Handle	1
K8-BUSH	27	Door Bush	1
K8-HINGEPIN	28	Upper Hinge Axis	1
***	29	Adjustable Gasket	1
K8-HING	30	Bottom Door Hinge	2
K8-COVER/L	31	Light Cover Left	1
K8-SWITCH	32	Light Switch	1
K8-COVER01	33	Light Cover	1
K8-LED02	34	Light Strip	1
K8-COVER/R	35	Light Cover Right	1
K8-SHELF	36	Shelf	2
***	37	Ladder Racks	4
K8-SHELFCLIP	38	Shelf Clips	8
***	39	Evap Cover	1
***	40	Long Support	1
***	41	Evap Fan Guard	1

C5-AXIAL120MM	42	Evap Fan Motor	1
***	43	Short Support	4
***	44	Sensor Clamp	1
K8-PROBE	45	Air Sensor	1
***	46	Sensor Padding	1
K8-EVAP021	47	Evaporator	1

**\*\*\* Please contact Spares for assistance \*\*\***